

# US Echo II

## Ultrasonic Flow Meter Qp 0.6-15 m<sup>3</sup>/h

US ECHO II is the standard for highly accurate flow meters.

Issued from CF Heat Meter's family, US ECHO II easily adapts its self to different types of calculators. Its powerful electronics enables any user to take advantage of all state of the art functions maintaining an extraordinary high precision throughout the entire measurement curve.

Flows are measured from 6 L/h up to 33 m<sup>3</sup>/h for different piping going from DN15 up to DN50. All flows exist for PN25 applications.

### Standards Compliance

- > MID 2004/22/EC Module B+D
- > Class 2.0 acc. EN 1434
- > Env. Class C acc. EN 1434
- > PTB approved
- > PED compliance

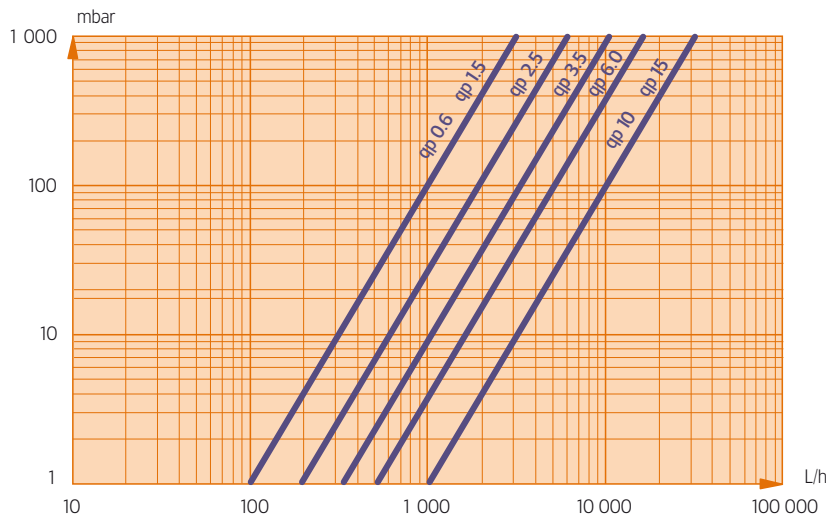
### Benefits

- > Repeatability over time
- > Robustness
- > Reliability
- > Diagnostic functions

### Applications

Heating and/or cooling installations for horizontal or vertical mounting.

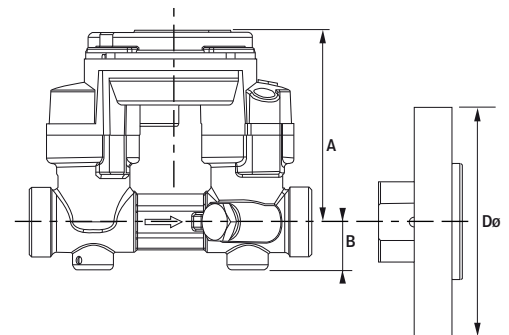
### Head Loss



### Dimensions

See Technical Characteristics table for available lengths.

DN	15	20	25	32	40	50
A	72	72	77	77	85	85
B	18	18	23	24	35	-
Dø (flanges)	-	100	110	-	140	160



> Threaded version



> Flanged version

### > Key features

- High Accuracy
- Robustness
- Ease of Installation
- Self Management

CE type approval certificate:  
DE-06-MI004-PTB008

## Technical Characteristics

Nominal Flow Qp m³/h	Diameter DN mm	Max flow Qs m³/h	Min flow Qi L/h	Start flow Qstart L/h	Body length mm	Pipe Connection	Nominal Pressure bar	Permanent max. temp. °C	Accidental max. temp. °C
0.6	15	1.2	6	1.2	110	G 3/4 B	16/25	130	150
	20	1.2	6	1.2	130	G 1 B	16/25	130	150
	20	1.2	6	1.2	190	G 1 B/flanges	16/25	130	150
1.5	15	3	15	3	110	G 3/4 B	16/25	130	150
	20	3	15	3	130	G 1 B	16/25	130	150
	20	3	15	3	190	G 1 B/flanges	16/25	130	150
2.5	20	5	25	5	130	G 1 B	16/25	130	150
	20	5	25	5	190	G 1 B/flanges	16/25	130	150
	25	5	25	5	260	G 1 1/4 B	16/25	130	150
3.5	25	7	35	7	150	G 1 1/4 B	16/25	130	150
	25	7	35	7	260	G 1 1/4 B/flanges	16/25	130	150
	40	7	35	7	300	Flanges	25	130	150
6	25	12	60	12	150	G 1 1/4 B	16/25	130	150
	25	12	60	12	260	G 1 1/4 B/flanges	16/25	130	150
	32	12	60	12	260	G 1 1/2 B	16/25	130	150
	40	12	60	12	300	Flanges	25	130	150
	50	12	60	12	270	Flanges	25	130	150
10	40	20	100	20	200	G2 B	16/25	130	150
	40	20	100	20	250	Flanges	25	130	150
	40	20	100	20	300	G 2 B/flanges	16/25	130	150
	50	20	100	20	270	Flanges	25	130	150
15	50	30	150	30	250	Flanges	25	130	150
	50	30	150	30	270	Flanges	25	130	150

Pulse Value (Qp)	Pulses (L/p)	Test Pulses (cm³/p)
0.6	1, 2.5, 10, 25, 100, 250	5
1.5	1, 2.5, 10, 25, 100, 250	10
2.5	1, 2.5, 10, 25, 100, 250	20
3.5	1, 2.5, 10, 25, 100, 250	25
6	1, 2.5, 10, 25, 100, 250	50
10	1, 2.5, 10, 25, 100, 250	100
15	1, 2.5, 10, 25, 100, 250	100

### About Itron Inc.

Itron Inc. is a leading technology provider to the global energy and water industries. Our company is the world's leading provider of metering, data collection and utility software solutions, with nearly 8,000 utilities worldwide relying on our technology to optimize the delivery and use of energy and water. Our products include electricity, gas and water meters, data collection and communication systems, including automated meter reading (AMR) and advanced metering infrastructure (AMI); meter data management and related software applications; as well as project management, installation, and consulting services. To know more, start here: [www.itron.com](http://www.itron.com)

For more information, contact your local sales representative or agency.



Allmess GmbH  
Am Vossberg 11  
D-23751 – Oldenburg in Holstein  
Germany  
Phone: 1.800.635.5461  
Fax: 1.509.891.3355  
[www.itron.com](http://www.itron.com)